

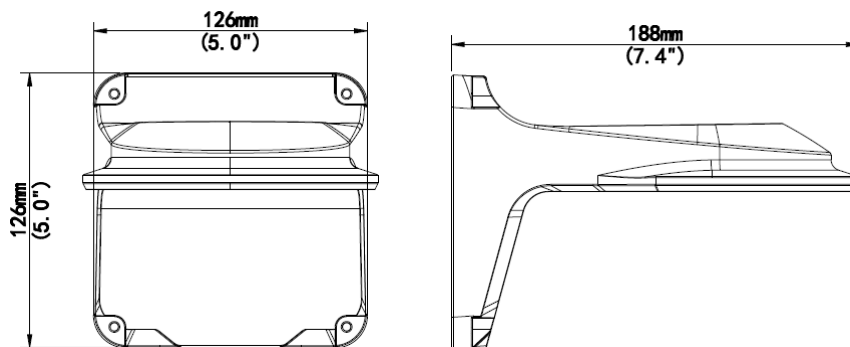
TR-WM03-A-IN 3-inch Fixed Dome Indoor Wall Mount



Specifications

| | |
|-------------|---|
| Bracket | TR-WM03-IN |
| Application | Indoor, wall installation for 3-inch fixed dome |
| Dimensions | 188mmx126mmx126mm (7.4" x5" x5") |
| Weight | 0.44kg(0.97lb) |
| Material | Aluminum alloy |

Dimensions



Zhejiang Uniview Technologies Co.,Ltd.

South Tower, Building 10, Wanlun Science Park, 88 Jiangling Road, Hangzhou, P.R.China 310051

Email: overseasbusiness@uniview.com; globalsupport@uniview.com

<http://www.uniview.com>

©2017 Zhejiang Uniview Technologies Co.,Ltd. All rights reserved.

*Product specifications and availability are subject to change without notice.